

Eaton B852S-12-18HDG

Catalog Number: B852S-12-18HDG

Eaton B-Line series pole bracket, 7.78" H x 18" L x 12" W, Steel, Hot-dipped galvanized

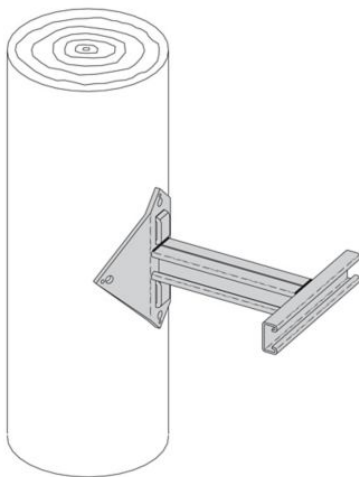


Photo is representative

General specifications

Product Name	Catalog Number
Eaton B-Line series pole bracket	B852S-12-18HDG
UPC	Product Length/Depth
781011974176	18 in
Product Height	Product Width
7.78 in	12 in
Product Weight	Certifications
7.541 lb	Not Applicable

Model

Type

Bracket

Material/finish

Finish

Hot-dipped galvanized

Material

Steel

Resources

Catalogs

[Channel Nuts and Hardware Catalog Section](#)

[Strut Fittings Catalog Section](#)

Specifications and datasheets

[Eaton Specification Sheet - B852S-12-18HDG](#)



Eaton Corporation plc
Eaton House
30 Pembroke Road
Dublin 4, Ireland
Eaton.com
© 2024 Eaton. All Rights Reserved.

Eaton is a registered trademark.

All other trademarks are property of their respective owners.



[Eaton.com/socialmedia](https://www.eaton.com/socialmedia)